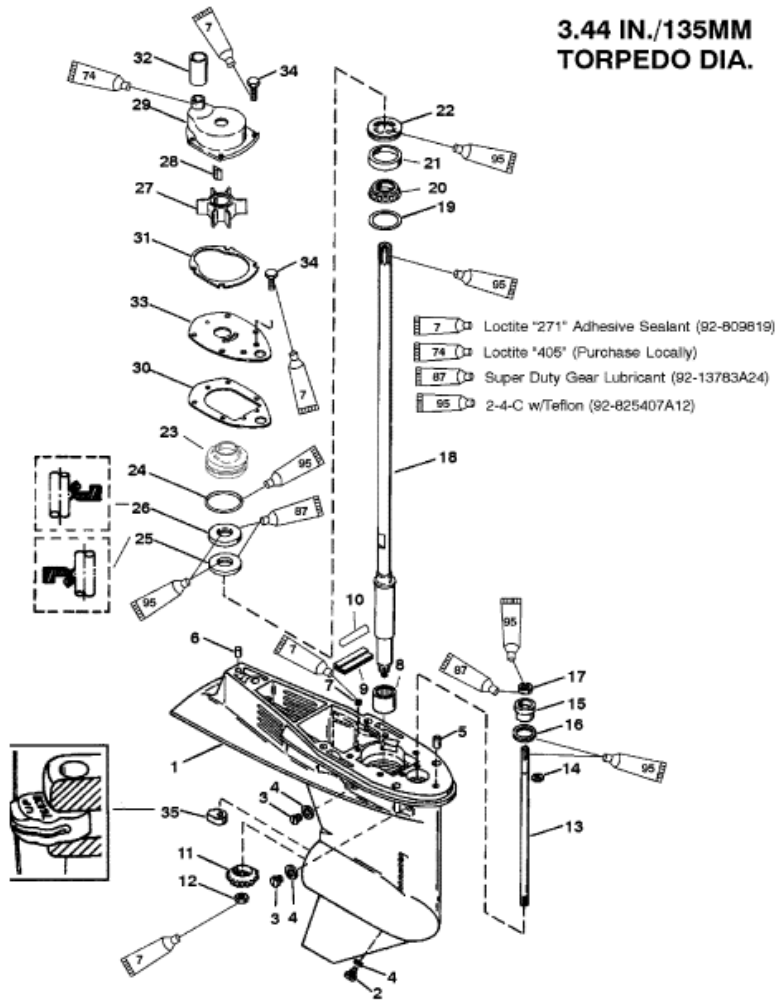


**3.44 IN./135MM
 TORPEDO DIA.**



Parts List						
Ref	Class	Part	Description	Qty	Comment	Footnote
-	1671	9760A23	GEAR HOUSING	1	(BLACK) SHORT	
-	1671	9760A24	GEAR HOUSING	1	(GRAY) SHORT	
-	1671	9760A25	GEAR HOUSING	1	(BLACK) LONG	
-	1671	9760A26	GEAR HOUSING	1	(GRAY) LONG	
-	1671	9760A28	GEAR HOUSING	1	(BLACK) X-LONG	
-	1671	9760A29	GEAR HOUSING	1	(GRAY) X-LONG	
1	1671	9760A30	GEAR HOUSING	1	(BLACK)	
1	1671	9760A31	GEAR HOUSING	1	(GRAY)	
2	22	67892A	DRAIN SCREW	1		
3	10	79953A	SCREW	2		
4	12	19183	WASHER-SEALING	3		5,4,9
5	17	43043	DOWEL PIN	1		
6	17	43044	DOWEL PIN	1		
7	22	56800	PIPE PLUG	1		
8	31	812768	ROLLER BEARING	1		
9		818226A	SEAL KIT	1		
10		NSS	FILLER PLATE	1		7
11	43	813694	PINION GEAR (14 TEETH)	1		
12	11	55910	NUT	1		
13		812732A	SHIFT SHAFT ASSEMBLY	1	(SHORT/LONG)	
13		815420	SHIFT SHAFT	1	(X-LONG)	
14	53	29641	RETAINING RING	1		
15	23	813696A	BUSHING ASSEMBLY	1		
16	25	45258	O-RING	1		5,9
17	26	816464	OIL SEAL	1		9
18	45	815422	DRIVE SHAFT	1	(SHORT) 60 ELECTRIC	
18	45	812731	DRIVE SHAFT	1	(LONG) 60 ELECTRIC	
18	45	815421	DRIVE SHAFT	1	(X-LONG) 60 ELECTRIC	
18	45	812731	DRIVE SHAFT	1	(55 MANUAL)	
19	15	812770A	SHIM SET	AR		10
20	31	77420A	TAPERED ROLLER BEARING	1		
21		NSS	CUP	1		7
22	11	812820	NUT	1		
23	46	812966A	WATER PUMP BASE	1		4,6
24	25	30224	O-RING	1		5,9,4
25	26	814669	OIL SEAL	1		4,9
26	26	814670	OIL SEAL	1		4,9
27	47	19453	IMPELLER	1		4
28	28	19699	KEY	1		4
29		14334A	WATER PUMP	1		4
30	27	18701	GASKET	1	(LOW/EP)	5,9,4